

Item No. _____

Project _____

Quantity _____

MODEL TEBC

50, 100, 150, 200, 300 GALLON BATCH CHILLER



GENERAL DESCRIPTION

An economical machine for the low to medium volume food processor or food service commissary desiring to rapidly chill hot clipped casings, heat sealed pouches and/or membrane sealed tubs/bowls/trays. The Tucs batch chiller is a simple air agitated tank providing efficient immersion cooling of packaged products. Process water is maintained at chill temperatures thru the use of submerged evaporator coils directly coupled to the refrigeration compressor(s). A switch activated floor lifts cooled product from chiller bath for easy and safe removal.

CERTIFICATIONS

ANSI/UL-197, NSF/ANSI 4-2007e

TUCS EQUIPMENT, INC.

755 County Road 18 S. • Princeton MN 55371

Phone 763-574-7475 Fax 763-574-7472

www.tucsequipment.com

CONSTRUCTION - AIR COMPRESSOR

- 304L Stainless Steel tank mounted on 4 flanged feet with leg pads
- Capacity to chill 50, 100, 150, 200, 300 gallons of packaged liquid products
- Fully insulated
- 1 ½" drain with ball valve
- Built to USDA standards, FDA compliant
- Lift floor – switch activated elevating floor to raise product out of chill water. Can be stopped at any point for immersion cooling of open containers - stock pots, tubs, etc.

AIR AGITATION

- ¾ Hp high volume, low pressure air pump
- Dual, interconnected stainless steel air bubbler lines running full length of tank
- Mounted and prewired to control

REFRIGERATION

- Not supplied, see options

COOLING EVAPORATORS

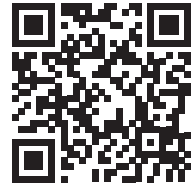
- Stainless steel evaporator coils designed for Freon refrigerant
- Submerged, stainless steel evaporator coils directly connected to a refrigeration compressor
- Expansion valve(s) shipped loose

CONTROLS

- Batch chill mode
- Display of process water temperature
- Refrigeration system selection switch

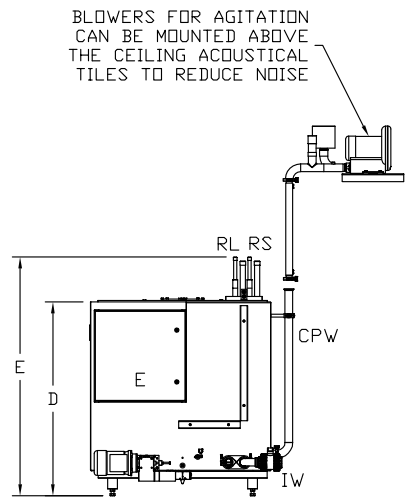
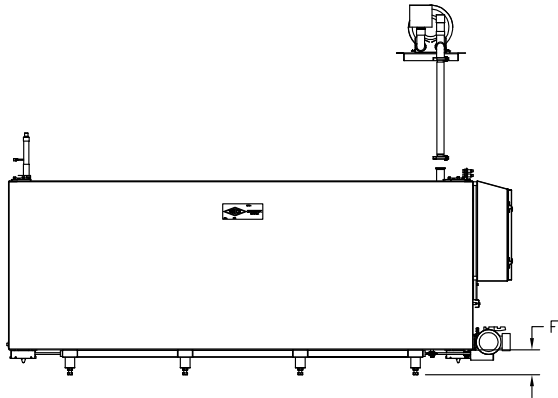
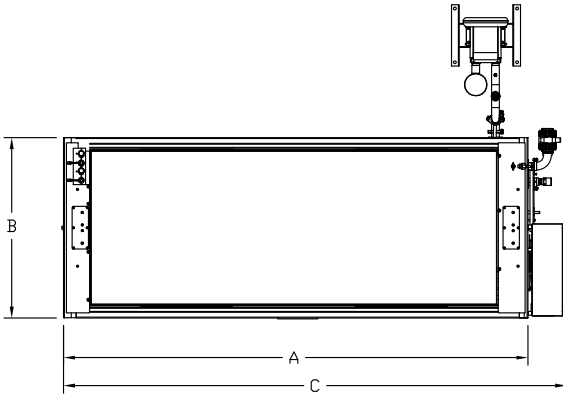
OPTIONS

- Air or water cooled remote compressors for evaporator coils
- Flexible dividers to allow simultaneous chilling of 2 or more batches
- Chilled water take off with recirculating pump to provide chilled water for other purposes such as kettle jacket cooling



MODEL TEBC

50, 100, 150, OR 200 GALLON BATCH CHILLER



BLOWERS FOR AGITATION
CAN BE MOUNTED ABOVE
THE CEILING ACOUSTICAL
TILES TO REDUCE NOISE

- NOTES:
1. SHOWN WITH CONTROL ON RIGHT SIDE. LEFT SIDE AVAILABLE.
2. DIMENSIONS SUBJECT TO CHANGE WITHOUT NOTICE - CHECK WITH FACTORY.
3. ALLOW 36" MINIMUM CLEARANCE IN FRONT OF CONTROL PANEL.

UTILITY CONNECTIONS

SIZE	COLD POTABLE WATER	REFRIGERATION LIQUID	REFRIGERATION SUCTION	DISCHARGE DRAIN	ELECTRIC
SYMBOL	CPW	RL	RS	IW	E
50-300	1" NPT	7/8" NPT	1 3/8" NPT	2" DC	3 PH/60 HZ

RECOMMENDED CLEARANCES

RIGHT HAND TANK	
RIGHT (PANEL) SIDE	36"
BACK SIDE	36"
LEFT SIDE	12"

UTILITY REQUIREMENTS

SIZE	ELECTRIC			REFRIGERATION		WEIGHT (EMPTY)
	GAL	FLA @ 208V	FLA @ 230V	FLA @ 460V	COIL QUANTITY PER UNIT	BTU/hr @25° F SUCTION
50	7.5A	6.6A	3.3A	1	52,000	800
100	7.5A	6.6A	3.3A	1	117,000	1200
150	7.5A	6.6A	3.3A	2	180,000	2250
200	7.5A	6.6A	3.3A	2	234,000	2500
300	7.5A	6.6A	3.3A	3	360,000	3700

DIMENSIONS

SIZE	A	B	C	D	E	F
50	48	46	58	51	62	6.5
100	72	47	81	51	62	6.5
150	96	47	106	51	62	6.5
200	121	47	131	51	62	6.5
300	174	47	184	51	62	6.5